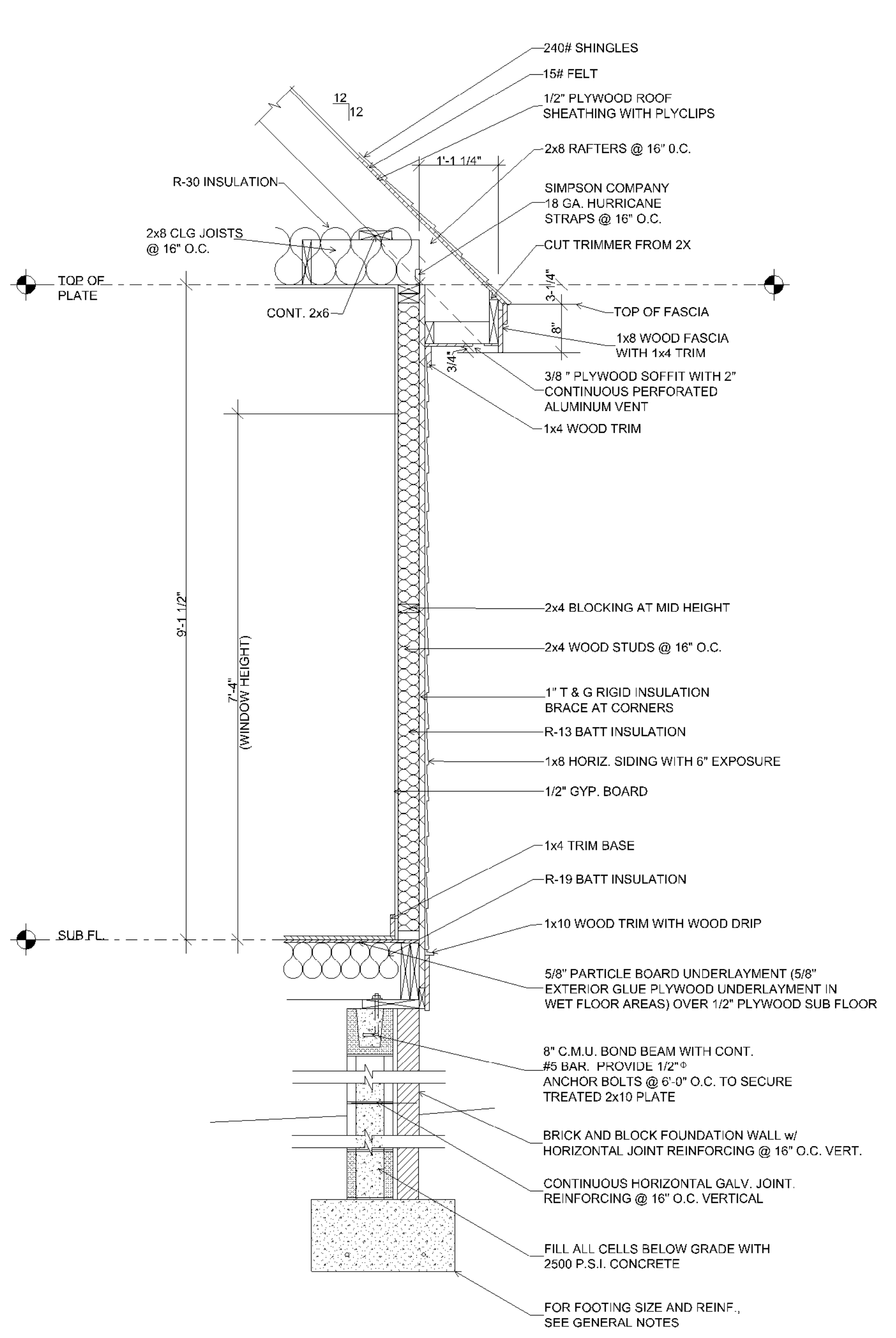
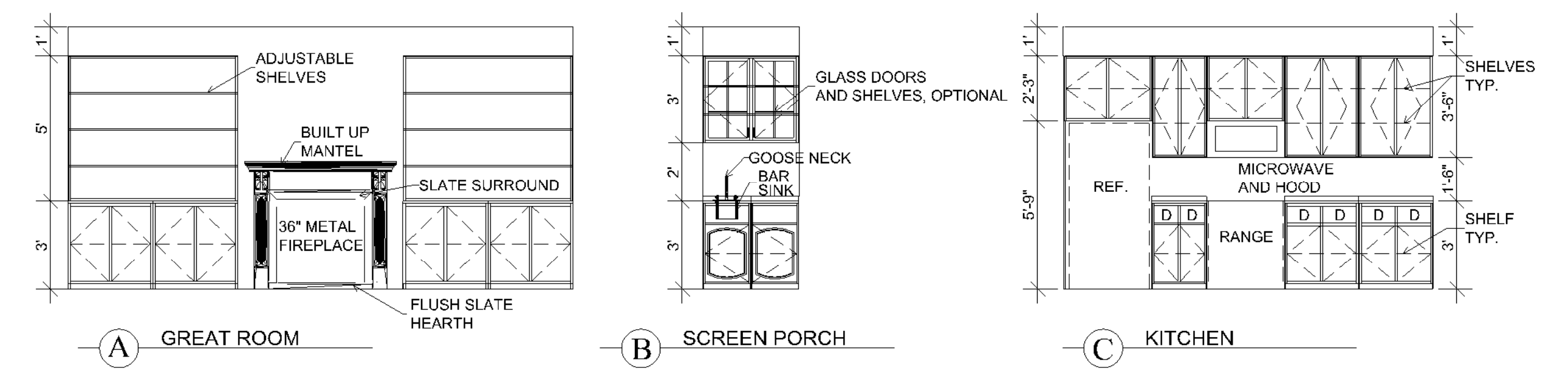
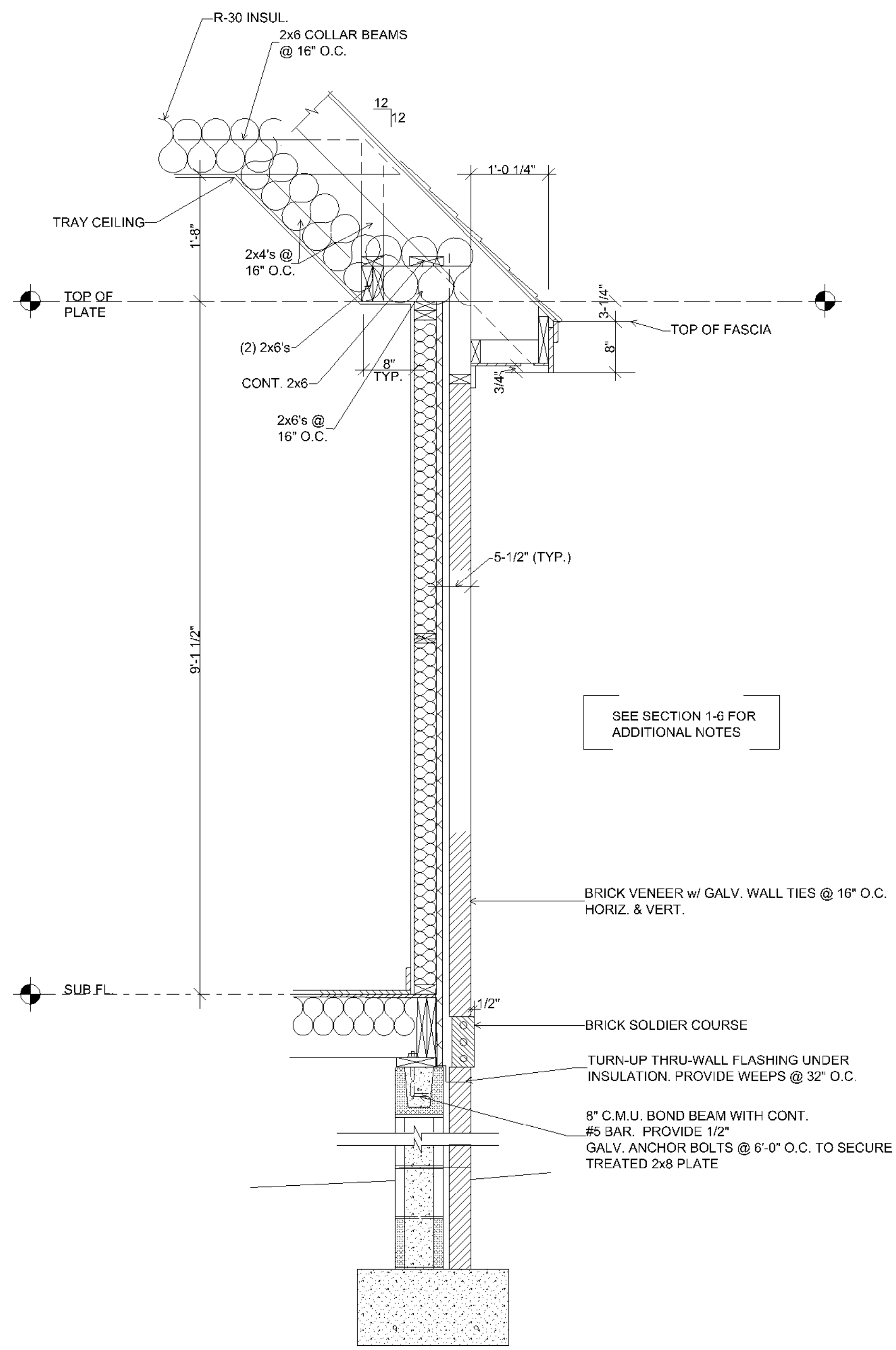


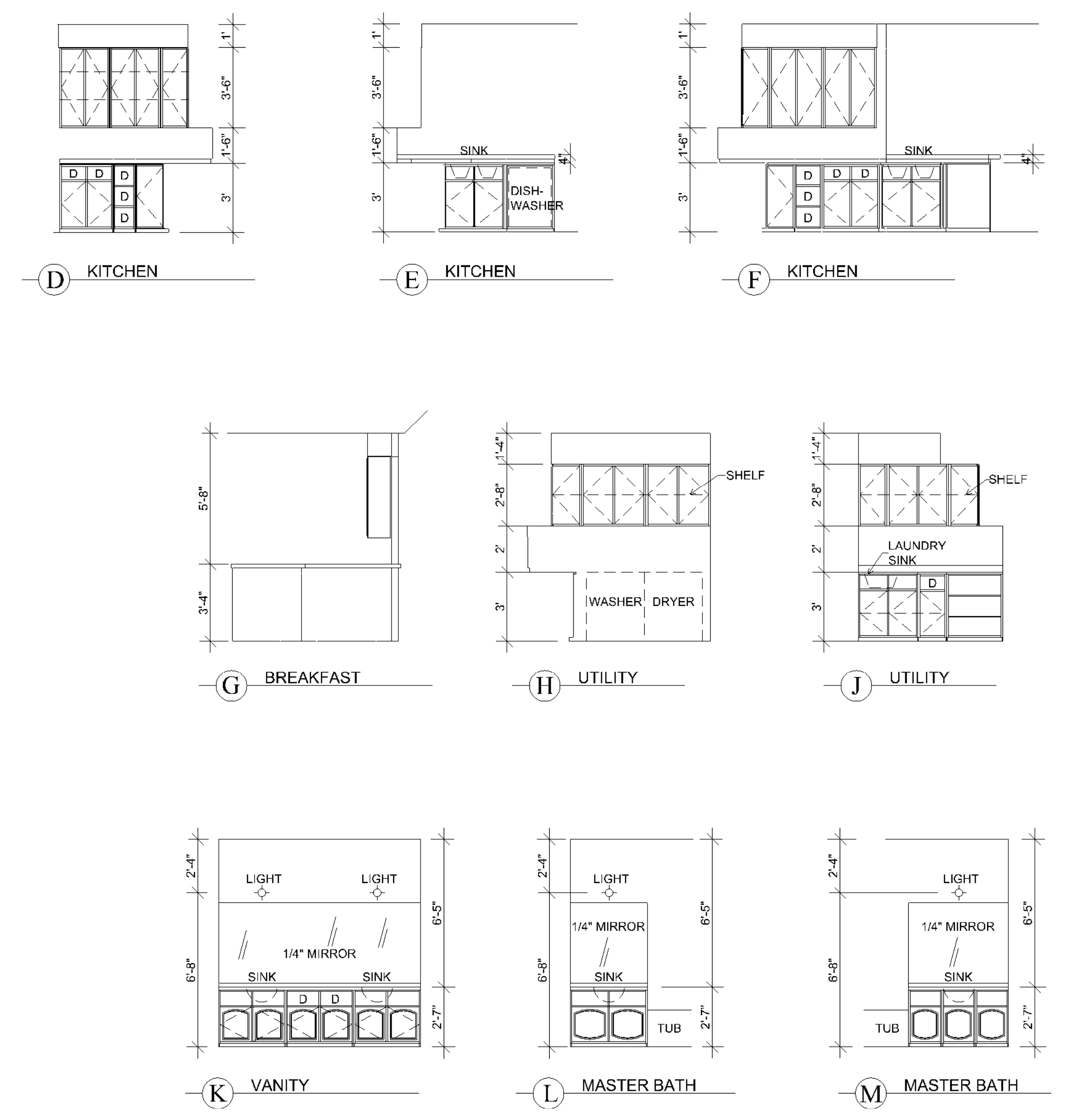
3  
6 DETAIL 3/4" = 1'-0"



1 WALL SECTION 3/4" = 1'-0"



2 WALL SECTION 3/4" = 1'-0"



INTERIOR ELEVATIONS 1/4" = 1'-0"

**GARDNER RESIDENCE**  
PLAN 332

DRAWN BY: B. Bideau  
CHECKED BY: B. F.

Sheet: 7 of 7

**Cadsoft**

NOT TO BE COPIED OR REPRODUCED WITHOUT WRITTEN PERMISSION. COPYRIGHT 2004. DO NOT SCALE DRAWINGS.

Cellsoft Corporation  
548 Sandstone Dr., Suite 200  
Guelph, Ontario  
Canada N1G 4T7  
Phone: (519) 836-3300  
Fax: (519) 833-8821